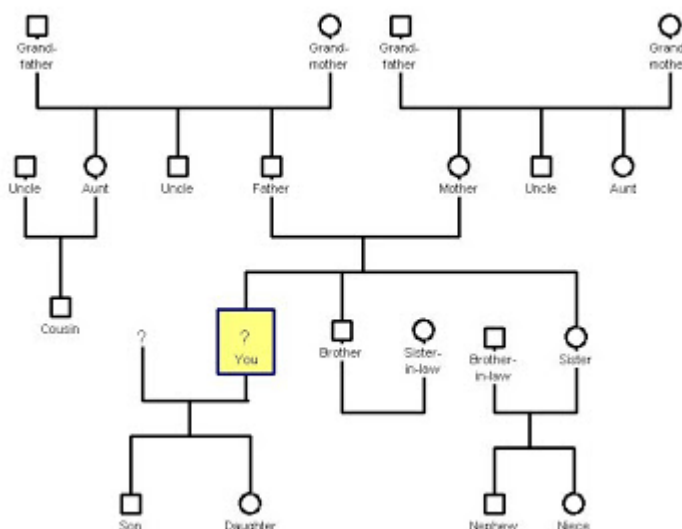


## Tips for practice on constructing genograms with families

*Genograms are diagrams that map out relationships within a family and across generations (usually at least three).*

*This is an exercise to strengthen relationships and increase understanding of the key issues in a child's story.*



- When embarking on a new assessment, take a piece of flip chart paper – or similar – and some coloured felt tips.
- Ask the family to tell you who is in their family.
- You may decide that different family members are likely to have different perspectives and you may want to include these separately.
- Think about including not only the child and their immediate family but also perhaps grandparents and great-grandparents.
- Draw the family genograms on the paper, checking with family members that you have the details right.

Ask yourself:

- Did this approach help to establish rapport with the family?
- Are you clearer about the key issues in the child and family's story than you would have been using a more conventional information gathering approach?

Software tools for recording genograms exist, such [GenoPro](#). Microsoft's [Visio](#) is also a very capable diagram editor. For simple genograms, you could try the built-in Drawing tools in Microsoft Word or Excel (you can find instructions on Google for how to do this, but bear in mind they become complex fairly quickly for the average family).